



Gemcom's Toggle Agent Abort Switch is a momentary toggle switch used to temporarily disconnect the suppression agent by interrupting the actuation circuit for the initial alarm and automatic release. The switch employs a dead-man type connection, which, when held, opens the actuator circuit by interrupting the electric current.

In the SYSTEM ON position, the green LED illuminates.

In the SYSTEM ABORTED position, the red LED illuminates.

Red Surface Mount Back Box (PART NO. GEM2GRB) is not included.



ELECTRICAL CIRCUIT OPTIONS

Toggle agent abort switch comes in 3 pole. See part number listed on right.



SILK-SCREENED FACEPLATE WITH LOGO

Complimentary silk-screened logo in black with first order of 20 or more switches. Custom colors available for add'l charge.



ENGRAVED FACEPLATE WITH CUSTOM TEXT

Customizable text allows changes in switch status and company information. Faceplates are available in many background and text colors.



ARTWORK KEPT ON FILE

After set up, all future orders will automatically include the company logo, unless requested without.

PART NO.

GEM TOGGLE ABORT

INCLUDED

- (1) Agent Abort Switch
- (4) 6-32"x1/2" screws
- (1) Pair of B721 keys

OPTIONAL

GEM2GRB (BACK BOX)

SWITCH RATING

10A 250VAC
15A 125-250VAC
DC Rating 15A up to 30VDC

LED RATING

10mA each
Total current draw of 20mA

OPERATING TEMP

32 to 120 °F (0 to 49 °C)
For dry indoor use only



Meets the requirements
of NFPA 72

The 2-Gang plate mounts to Gemcom's Surface Back Box (PART NO. GEM 2GRB) and operates on 24VDC. Flush mounting is also available with a 2-Gang plaster ring on a deep 4" square 1900 box. Refer below to Figures 1 and 2.

FIGURE 1

2 Gang Plate - Front View

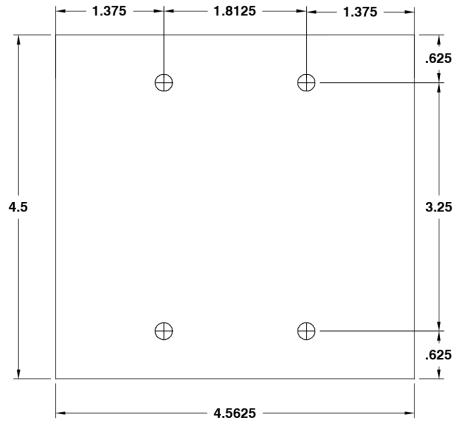
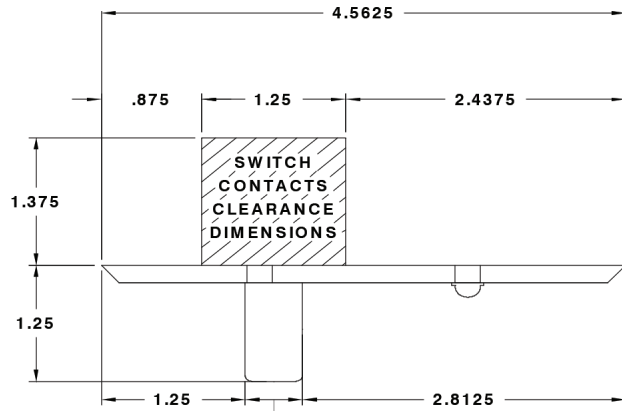
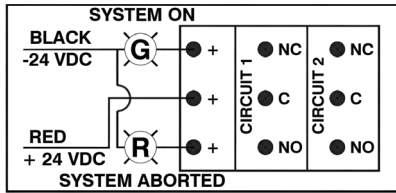


FIGURE 2

2 Gang Plate - Top View



3-POLE WIRING DIAGRAM



Gemcom, Inc. only distributes to certified fire alarm and suppression professionals, including but not limited to: distributors, designers, contractors, fire system engineers, installers, and manufacturers.

This literature is provided for informational purposes only. Gemcom, Inc. assumes no responsibility for the product's suitability for a particular application. The product must be properly applied to work correctly. If you need more information on this product, or, if you have a particular problem or question, contact Gemcom, Inc.

EFFECTIVE JANUARY 1st, 2026 REV B



FOR ORDERS OR INFORMATION

(888) 4-GEMCOM
(708) 839-6840

sales@gemcom.com
www.gemcom.com

