

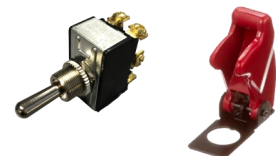
DESCRIPTION

Optional Surface Mount Back Box - Part# **GEM 2GRB**

The TOGGLE AGENT ABORT SWITCH provides a temporary manual means for interrupting the agent actuation circuit between the initial alarm and automatic release. The panel employs a momentary dead-man type of switch, which when pressed, opens the actuator circuit by interrupting electric current.

Each switch has two (2) LED indicators: "SYSTEM ON" and "SYSTEM ABORTED" which indicates the condition of the system.

The operating instructions and your company logo (optional) are silk screened on a two-gang stainless steel plate.



864 - 9th Edition

INSTALLATION

The 2-Gang plate mounts to Gemcom's Surface Back Box (Part# **GEM 2GRB**) and operates on 24VDC. Flush mounting is also available with a two-gang plaster ring on a deep 4" square 1900 box. Refer below to Figures (1) and (2) for the dimensions.

FIGURE 1

2 GANG PLATE - FRONT VIEW

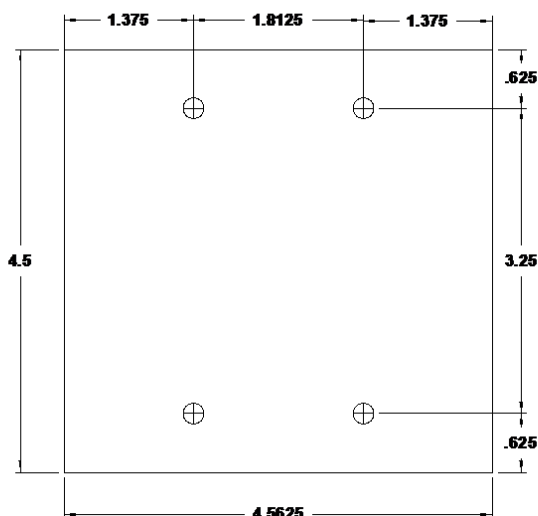
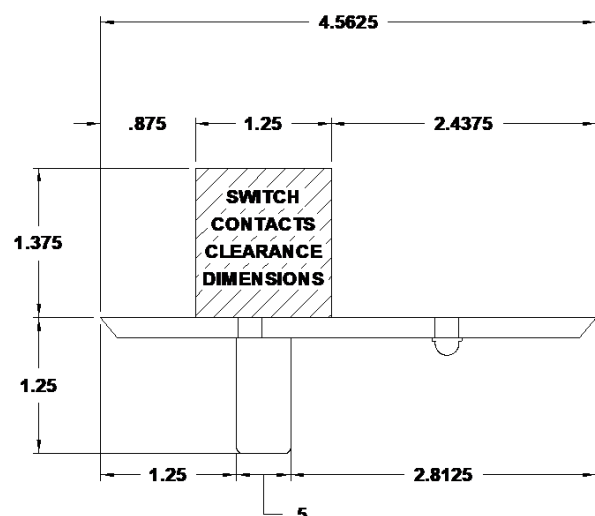


FIGURE 2

2 GANG PLATE - TOP VIEW



SWITCH RATING

10A 250VAC
 15A 125-250VAC
 DC Rating is 15A up to 30VDC

Operating Temperature 32 to 120 °F (0 to 49 °C)

For dry indoor use only

Mounting screws supplied: (4) 6-32 x 1/2"

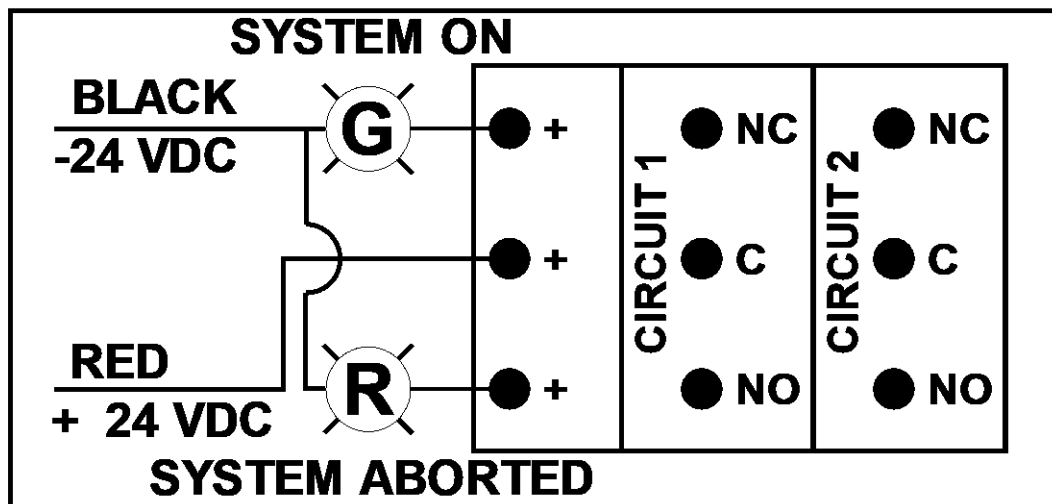
(4) 6-32 x 1"

LED RATING

10mA each - total current draw of 20mA

Listed UL 864, 9th edition

3-POLE WIRING DIAGRAM



This literature is provided for informational purposes only. Gemcom, INC. assumes no responsibility for the product's suitability for a particular application. The product must be properly applied to work correctly. If you need more information on this product, or if you have a particular problem or question, contact GEMCOM, INC., WILLOW SPRINGS, IL 60480. Telephone: (708) 839-6840