

DESCRIPTION

Optional Surface Mount Back Box - Part# **GEM 2GRB**

This MAINTENANCE panel is a key switch which disconnects actuation circuits in the system to prevent accidental discharge during maintenance operations.

When the key is turned toward "SYSTEM INACTIVE", the red LED illuminates and the green LED indicating "SYSTEM ARMED" turns off. The key can only be removed in the "SYSTEM ARMED" position, however this panel is also available with a removable key in both the "ARMED" and "INACTIVE" positions.

The text and your company logo (optional) are silk screened on a two-gang stainless steel plate.



INSTALLATION

The 2-Gang plate mounts to Gemcom's Surface Back Box (Part# **GEM 2GRB**) and operates on 24VDC. Flush mounting is also available with a two-gang plaster ring on a deep 4" square 1900 box. Refer below to Figures (1) and (2) for the dimensions.



864 - 9th Edition

FIGURE 1

2 GANG PLATE - FRONT VIEW

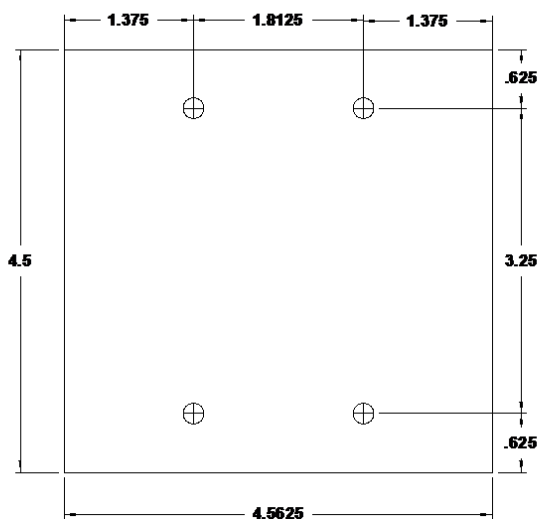
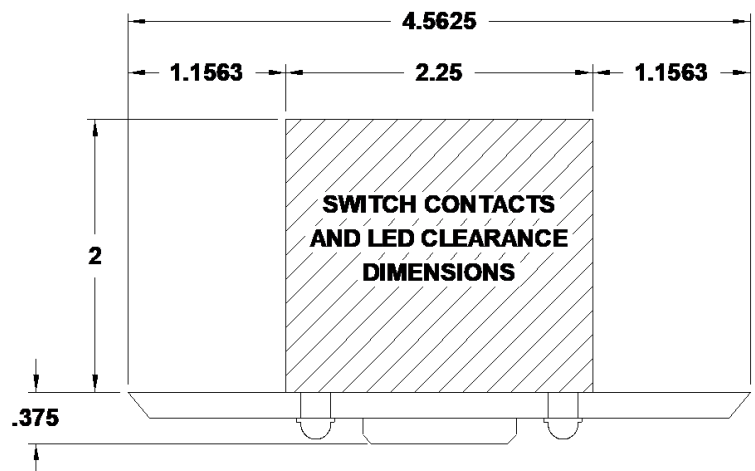


FIGURE 2

2 GANG PLATE - TOP VIEW



SWITCH RATING

10A 250VAC
 15A 125-250VAC
 DC Rating is 15A up to 30VDC

Operating Temperature 32 to 120 °F (0 to 49 °C)

For dry indoor use only

Mounting screws supplied: (4) 6-32 x 1/2"

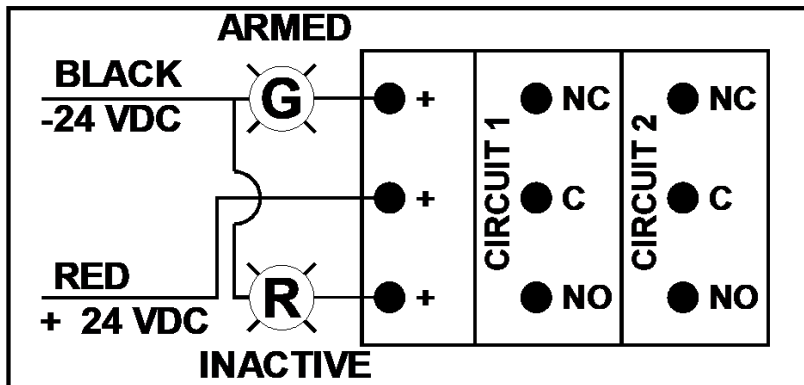
(4) 6-32 x 1"

LED RATING

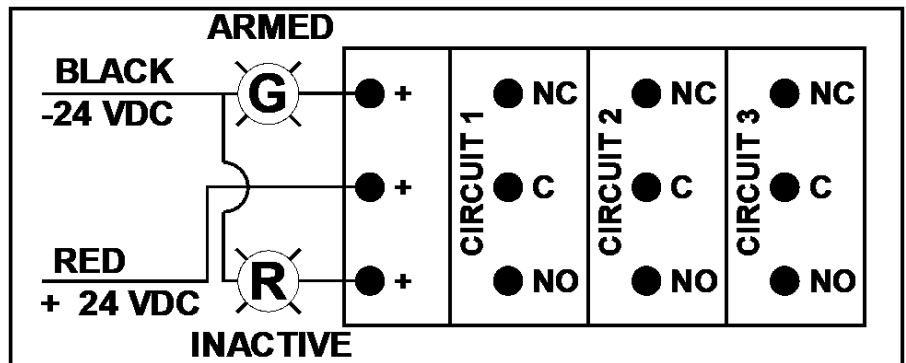
10mA each - total current draw of 20mA

Listed UL 864, 9th edition

3-POLE WIRING DIAGRAM



4-POLE WIRING DIAGRAM



This literature is provided for informational purposes only. Gemcom, INC. assumes no responsibility for the product's suitability for a particular application. The product must be properly applied to work correctly. If you need more information on this product, or if you have a particular problem or question, contact GEMCOM, INC., WILLOW SPRINGS, IL 60480. Telephone: (708) 839-6840