

DESCRIPTION

Optional Surface Mount Back Box - Part# **GEM 2GRB**

The MAIN/RESERVE panel is a key switch which enables a user to switch to "RESERVE" protection after the "MAIN" protection has been released to maintain protection of that area.

When the key is turned toward "RESERVE", the red LED illuminates and the green LED indicating "MAIN" turns off. The key can only be removed in the "MAIN" position, however this panel is also available with a key that is removable in both the "MAIN" and the "RESERVE" positions.

The text and your company logo (optional) are silk screened on a two-gang stainless steel plate.



864 - 9th Edition

INSTALLATION

The 2-Gang plate mounts to Gemcom's Surface Back Box (Part# **GEM 2GRB**) and operates on 24VDC. Flush mounting is also available with a two-gang plaster ring on a deep 4" square 1900 box. Refer below to Figures (1) and (2) for the dimensions.

FIGURE 1

2 GANG PLATE - FRONT VIEW

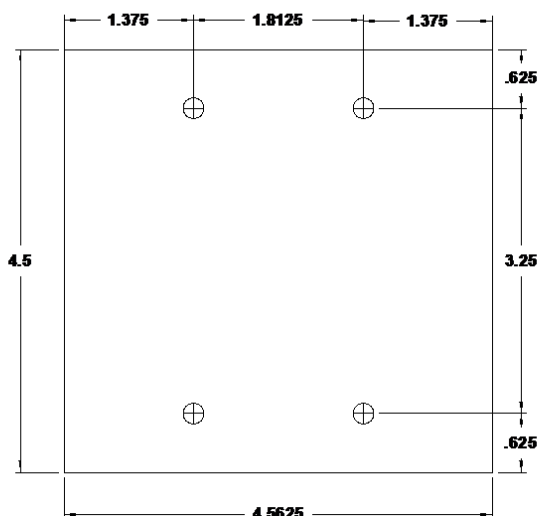
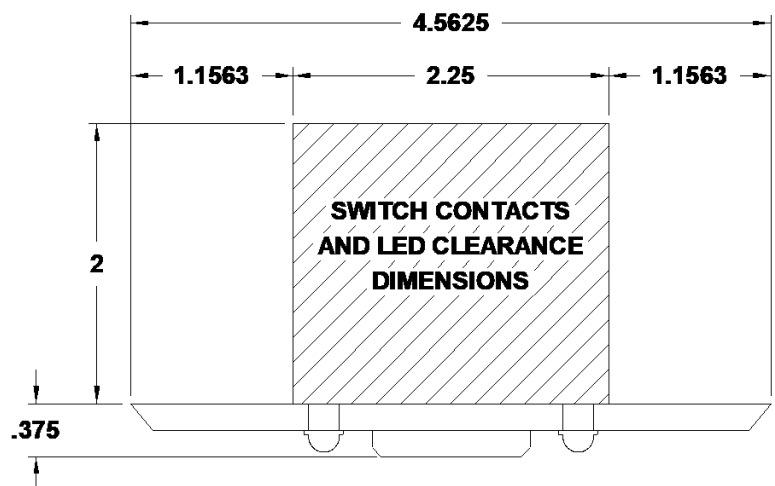


FIGURE 2

2 GANG PLATE - TOP VIEW



SWITCH RATING

10A 250VAC
 15A 125-250VAC
 DC Rating is 15A up to 30VDC

Operating Temperature 32 to 120 °F (0 to 49 °C)

For dry indoor use only

Mounting screws supplied: (4) 6-32 x 1/2"

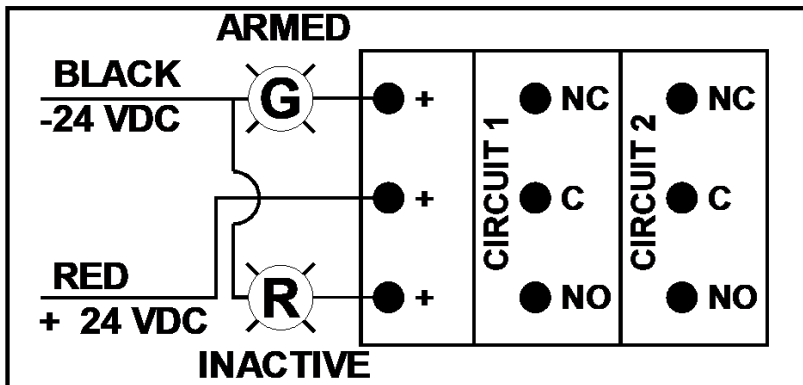
LED RATING

10mA each - total current draw of 20mA

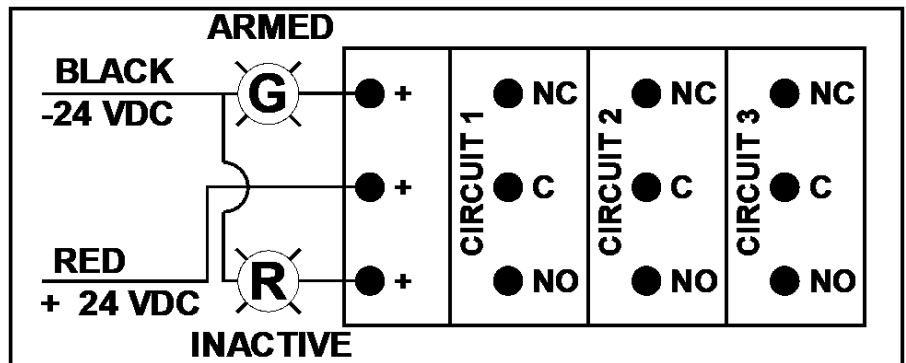
(4) 6-32 x 1"

Listed UL 864, 9th edition

3-POLE WIRING DIAGRAM



4-POLE WIRING DIAGRAM



This literature is provided for informational purposes only. Gemcom, INC. assumes no responsibility for the product's suitability for a particular application. The product must be properly applied to work correctly. If you need more information on this product, or if you have a particular problem or question, contact GEMCOM, INC., WILLOW SPRINGS, IL 60480. Telephone: (708) 839-6840