

## DESCRIPTION

### Optional Surface Mount Back Box—Part# **GEM 2GRB**

The FAN SHUTDOWN provides a key switch for overriding the fan operation while maintenance is in progress. Each FAN SHUTDOWN has a rotary key lock with “NORMAL” and “SHUTDOWN” settings. The key can only be removed in the “NORMAL” position.

This panel is also available with a removable key in both the “NORMAL” and “SHUTDOWN” positions.

The text and your company logo (optional) are silk screened on a two-gang stainless steel plate.



## INSTALLATION

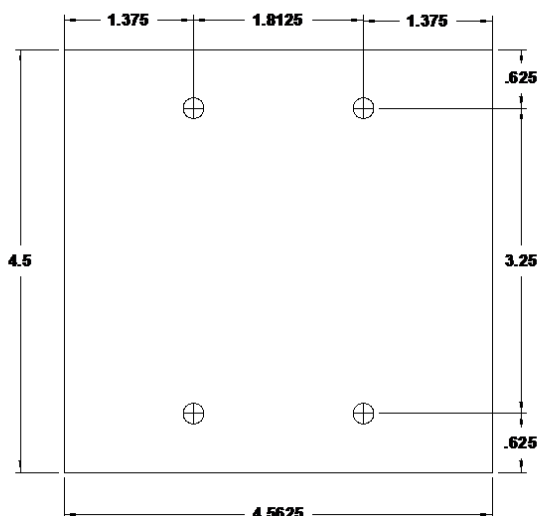
The 2-Gang plate mounts to Gemcom’s Surface Back Box (Part# **GEM 2GRB**) and operates with dry contacts. This plate can also be flush mounted with a two-gang plaster ring on a deep 4” square 1900 box. Refer below to Figures (1) and (2) for the dimensions.



864 - 9<sup>th</sup> Edition

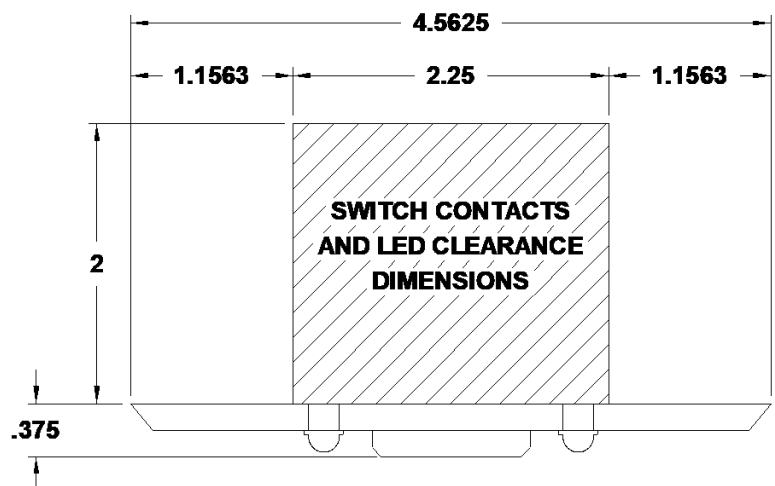
**FIGURE 1**

**2 GANG PLATE - FRONT VIEW**



**FIGURE 2**

**2 GANG PLATE - TOP VIEW**



## SWITCH RATING

10A 250VAC

15A 125-250VAC

DC Rating is 15A up to 30VDC

Operating Temperature 32 to 120 °F (0 to 49 °C)

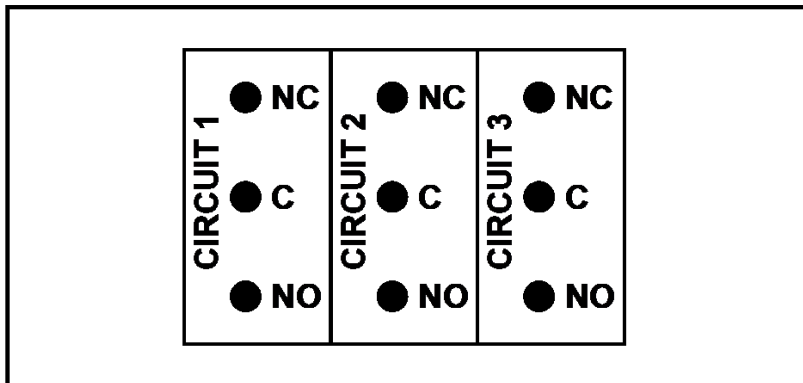
For dry indoor use only

Mounting screws supplied: (4) 6-32 x 1/2"

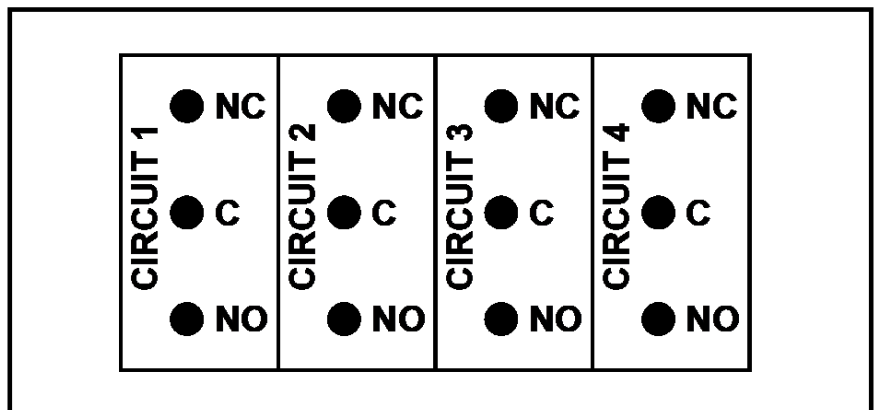
(4) 6-32 x 1"

Listed UL 864, 9th edition

## 3-POLE WIRING DIAGRAM



## 4-POLE WIRING DIAGRAM



This literature is provided for informational purposes only. Gemcom, INC. assumes no responsibility for the product's suitability for a particular application. The product must be properly applied to work correctly. If you need more information on this product, or if you have a particular problem or question, contact GEMCOM, INC., WILLOW SPRINGS, IL 60480. Telephone: (708) 839-6840