

DESCRIPTION

Optional Surface Mount Back Box—Part# **GEM 2GRB**

This DOOR STATUS provides a key switch for overriding the door locked position in case of emergency. Each DOOR STATUS has a rotary key lock with “LOCKED” and “UNLOCKED” settings.

When the key is turned toward “UNLOCKED”, the green LED illuminates and the red LED indicating “LOCKED” turns off. The key can only be removed in the “LOCKED” position, however this panel is also available with a removable key in both the “LOCKED” and the “UNLOCKED” positions.

The white text and your company name (optional) are engraved on a red sign and attached to a two-gang stainless steel plate.



864 - 9th Edition

INSTALLATION

The 2-Gang plate mounts to Gemcom’s Surface Back Box (**PART# GEM 2GRB**) and operates on 24VDC.

Flush mounting is also available with a two-gang plaster ring on a deep 4” square 1900 box. Refer below to Figures (1) and (2) for the dimensions.

FIGURE 1

2 GANG PLATE - FRONT VIEW

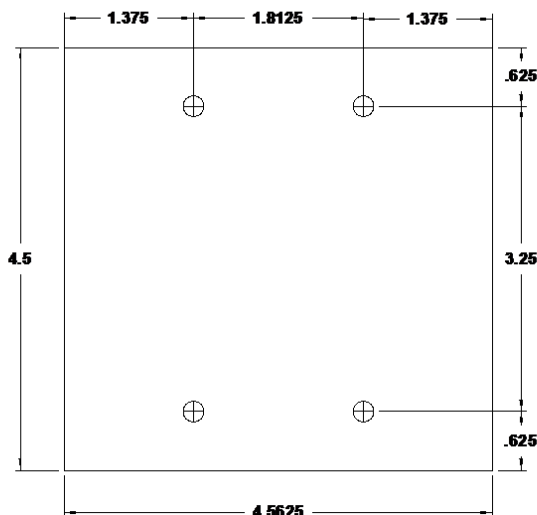
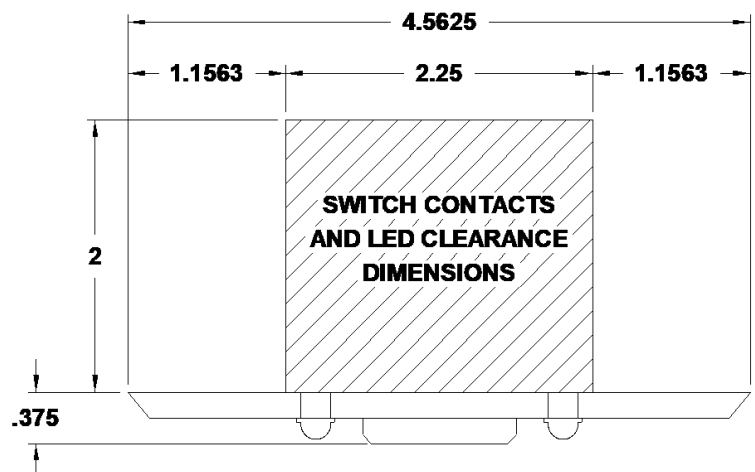


FIGURE 2

2 GANG PLATE - TOP VIEW



SWITCH RATING

10A 250VAC
 15A 125-250VAC
 DC Rating is 15A up to 30VDC

Operating Temperature: 32 to 120 °F (0 to 49 °C)

For dry indoor use only

Mounting screws supplied: (4) 6-32 x 1/2"

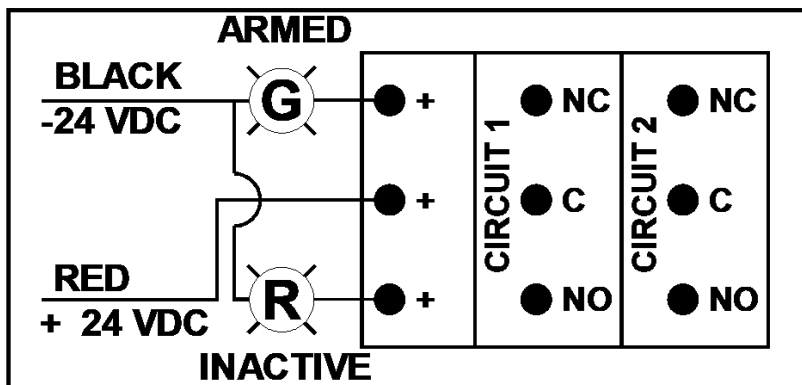
LED RATING

10mA each - total current draw of 20mA

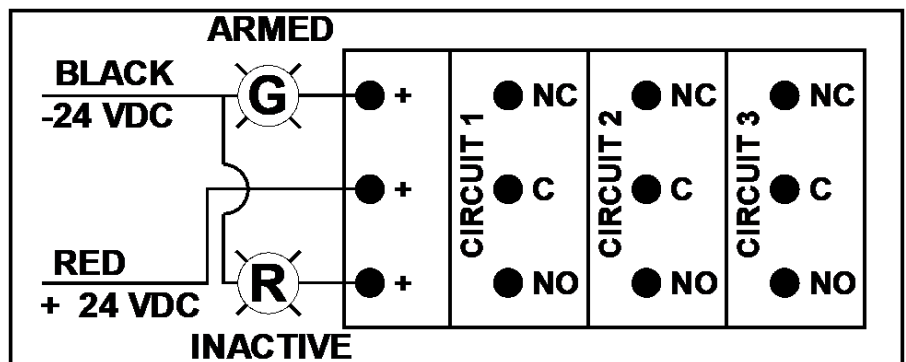
Listed UL 864, 9th edition

(4) 6-32 x 1"

3-POLE WIRING DIAGRAM



4-POLE WIRING DIAGRAM



This literature is provided for informational purposes only. Gemcom, INC. assumes no responsibility for the product's suitability for a particular application. The product must be properly applied to work correctly. If you need more information on this product, or if you have a particular problem or question, contact GEMCOM, INC., WILLOW SPRINGS, IL 60480. Telephone: (708) 839-6840