

## DESCRIPTION

The CITY TIE DISCONNECT is used to disconnect the Fire Alarm Panel from reporting any Alarm or Trouble Condition to the City in order to test and maintain the Fire Alarm System. When the switch is turned to the "DISCONNECTED" position, the white pilot light illuminates, which informs the user that the panel has been disconnected.

The white text is engraved on a red sign and attached to a two-gang stainless steel plate.



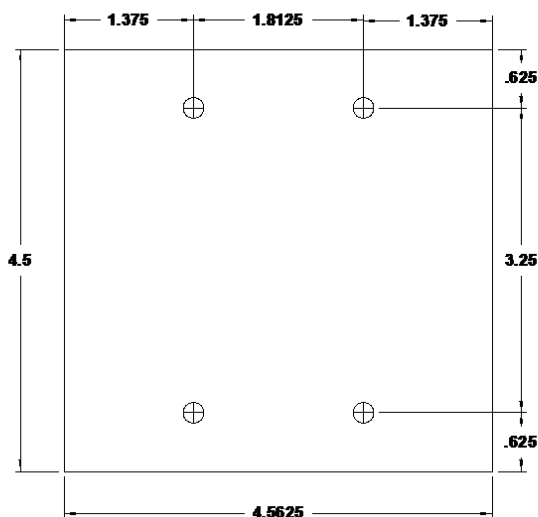
864 - 9th Edition

## INSTALLATION

The 2-Gang plate mounts to Gemcom's Surface Back Box (**PART# GEM 2GRB**) and operates on 24VDC. Flush mounting is also available with a two-gang plaster ring on a deep 4" square 1900 box. Refer below to Figures (1) and (2) for the dimensions.

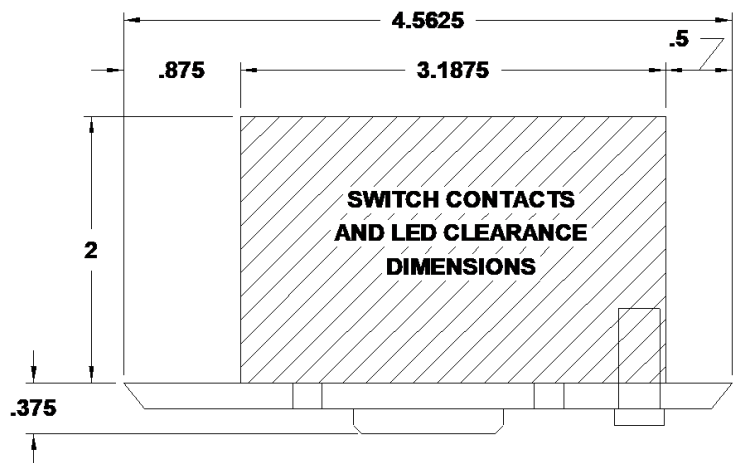
**FIGURE 1**

**2 GANG PLATE - FRONT VIEW**



**FIGURE 2**

**2 GANG PLATE - TOP VIEW**



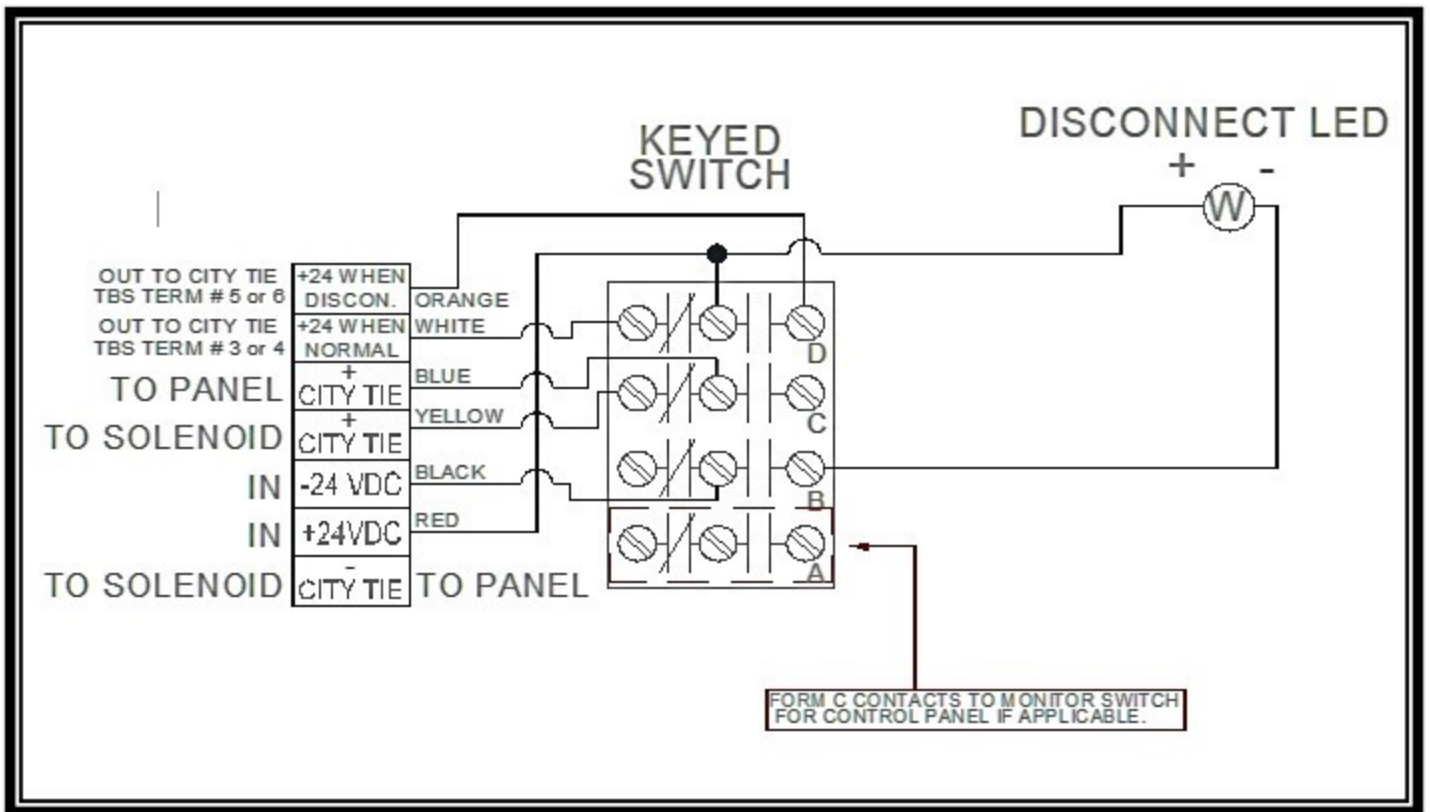
## SWITCH RATING

10A 250VAC  
 15A 125-250VAC  
 DC Rating is 15A up to 30VDC

## INCANDESCENT RATING

40mA at 28V

Mounting screws supplied:  
 (4) 6-32 x 1/2"  
 (4) 6-32 x 1"



This literature is provided for informational purposes only. Gemcom, INC. assumes no responsibility for the product's suitability for a particular application. The product must be properly applied to work correctly. If you need more information on this product, or if you have a particular problem or question, contact GEMCOM, INC., WILLOW SPRINGS, IL 60480. Telephone: (708) 839-6840