



CENTRAL STATION TROUBLE BELL STATION

PART#: **CENTRAL** or **CENTRAL KIT**

SPECIFY **Positive** or **Negative** Common or **120VAC**

OPTIONS

CENTRAL KIT includes a 6" bell and a 2" x 4" engraved sign for above the bell

OPTIONAL Surface Mount Back Box—**PART# GEM 2GRB**—See Back Box Cut Sheet for more information

DESCRIPTION

In the "BELL NORMAL" position, the "BELL TEST" will sound the bell. The bell will sound when there is trouble, and when silenced with the toggle switch, the LED will light. The "BELL SILENCE" switch will silence the bell. When the trouble clears, the LED will turn off and a ring back will sound until the "BELL SILENCE" switch is returned to the normal position.

The white text is engraved on a red sign and attached to a two-gang stainless steel plate.



INSTALLATION

The 2-Gang plate mounts to Gemcom's Surface Back Box (**PART# GEM 2GRB**) and operates on 24VDC or 120VAC. Flush mounting is also available with a two-gang plaster ring on a deep 4" square 1900 box. Refer to the below Figures (1) and (2) for the dimensions.

FIGURE 1

2 GANG PLATE - FRONT VIEW

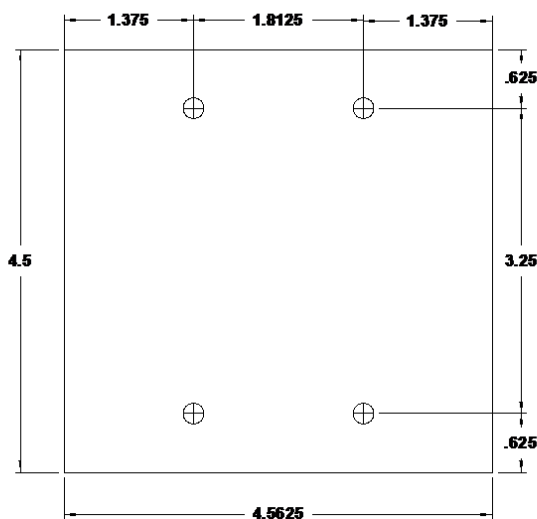
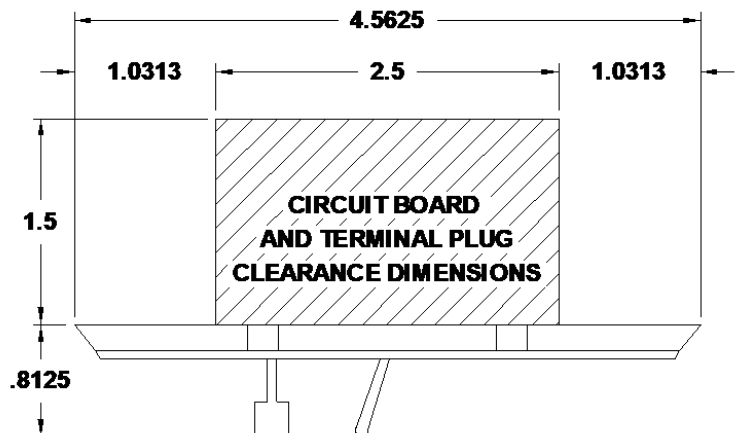


FIGURE 2

2 GANG PLATE - SIDE VIEW



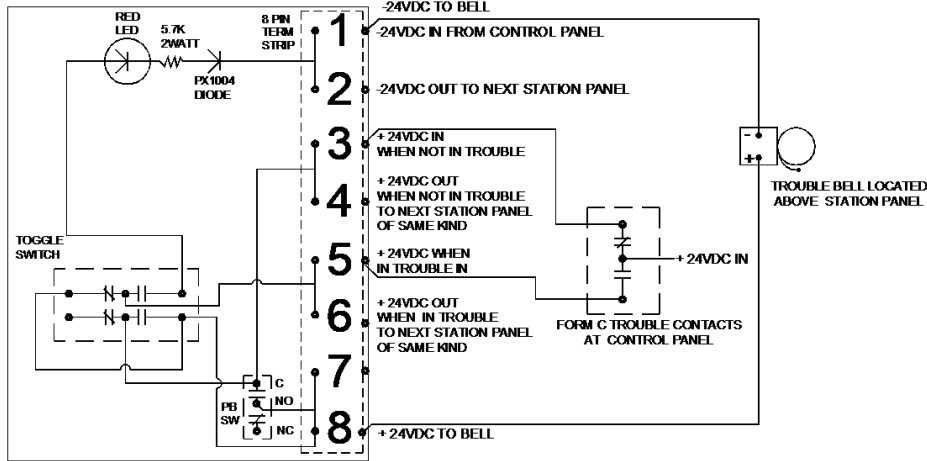


CENTRAL STATION TROUBLE BELL STATION

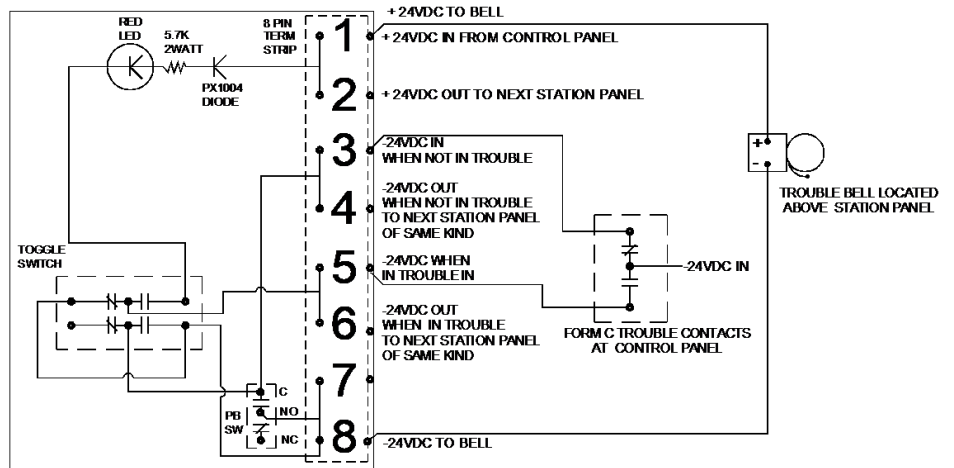
PART#: **CENTRAL** or **CENTRAL KIT**

SPECIFY **Positive** or **Negative** Common or **120VAC**

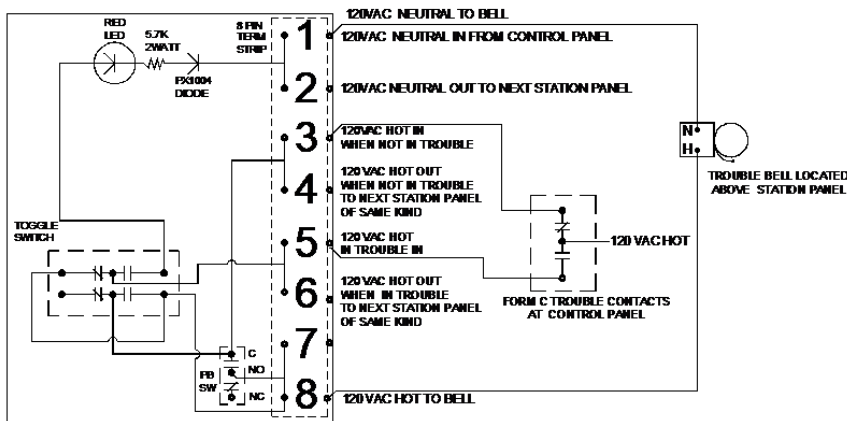
24VDC NEGATIVE COMMON WIRING DIAGRAM



24VDC POSITIVE COMMON WIRING DIAGRAM



120VAC WIRING DIAGRAM



This literature is provided for informational purposes only. Gemcom, INC. assumes no responsibility for the product's suitability for a particular application. The product must be properly applied to work correctly. If you need more information on this product, or if you have a particular problem or question, contact GEMCOM, INC., WILLOW SPRINGS, IL 60480. Telephone: (708) 839-6840

